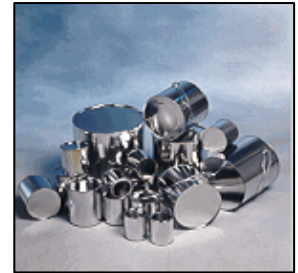




Compacting steel and tin cans

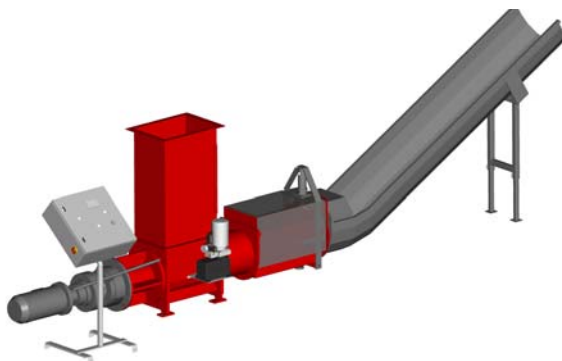
Compacted material weighs up to 1900 kg/m³
 Maximum diameter of cans: 230mm.



SK370

- Earn the full value of this valuable recyclable material by utilizing the max payload on the trucks
- Save space, time and money on internal handling of empty cans
- Increase the value of the scrap metal by compacting the material

| Production Data | Europe | USA |
|----------------------------------|-----------------------------|------------------------------|
| Capacity per hour (3 liter cans) | App. 3000 cans | App. 3500 cans |
| Density achieved | App. 1900 kg/m ³ | App. 118 lbs/ft ³ |
| Energy consumption | Europe | USA |
| Main motor | 15 kW | 24 HP (18 kW) |
| Hydraulic pump | 0,55 kW | 0.88 HP (0.66 kW) |
| Electrical requirements | Europe | USA |
| 3 phase 400V; 50 Hz | 63 AMPS | |
| 3 phase 480V; 60 Hz | | 63 AMPS |
| 3 phase 230V; 60 Hz | | 80 AMPS |
| Dimensions : 09-2107 | Europe | USA |
| Length | 7,00 m | 23 ft |
| Width | 1,35 m | 4 ft 4 inch |
| Height | 2,37 m | 7 ft 8 inch |
| Weight | App. 1500 kg | App. 3300 lbs |



09-2107
 SK370 for steel or tin cans. The compacted material is dropped into a small tip container which is loaded into a skip for haulage.

See RUNI DVD for description of how this compactor has saved one operators work.